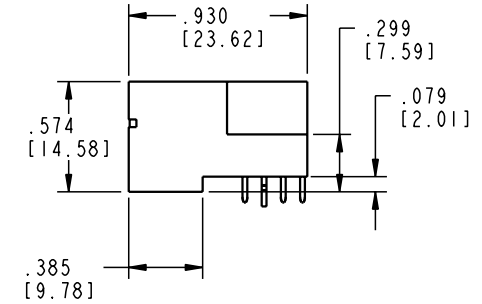
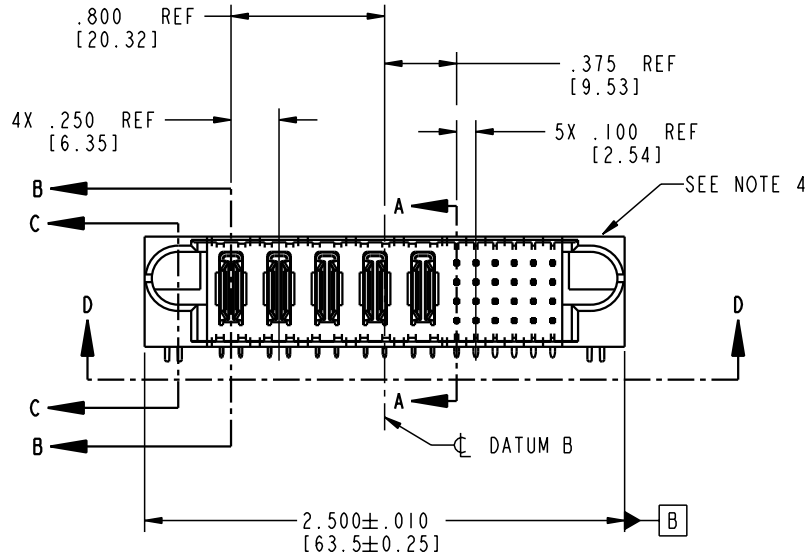


Tous droits strictement réservés. Reproduction ou communication o des tiers interdite sous quelque forme que ce soit sans autorisation écrite du propriétaire. Propriété de c FCI. Droits de reproduction FCI.



All rights strictly reserved. Reproduction or issue to third parties in any form whenever is not permitted without written authority from the proprietor. Property of FCI. Copyright FCI.

PRODUCT NO.	ROWS	POWER					SIGNAL							
		E1	P1	P2	P3	P4	P5	1	2	3	4	5	6	E2
51722-10502400AA	D C B A		PA	PA	PA	PA	PA	UUUUUU	TTTTTT	SSSSSS	RRRRRR			



CODE	DIM "M" MATING LENGTH	CONTACT TYPE
R	.270 [6.86]	SIGNAL
S	.270 [6.86]	SIGNAL
T	.270 [6.86]	SIGNAL
U	.270 [6.86]	SIGNAL
PA	N/A [N/A]	POWER
HA	N/A [N/A]	HOLD-DOWN

mat'l code				SEE NOTE 2		tolerances unless otherwise specified		CUSTOMER		ELECTRONICS www.fciconnect.com	
ltr	ecn no.	dr	date	linear	.XX±.01/0.X±0.3		COPY		title		
A	V02925	JRW	12/12/00		.XXX±.005/0.XXX±0.13		projection		5P + 24S		
B	V12845	JWS	1/4/02		.XXX±.0020/0.XXX±0.051				RIGHT ANGLE SOLDER HEADER		
				angles	0° ± 2°		INCH/MM		product family		code
				dr	J. SHAFFER	1/4/02	scale		PwrBlade		213
				enr	M. MOSTOLLER	1/4/02	1:1		size		sheet
				chr	M. MOSTOLLER	1/4/02			dwg no		1 of 4
				appd	M. MOSTOLLER	1/4/02			A 51722-10502400AA		
sheet index	revision sheet	B	B	B	B						
		1	2	3	4						

1 | 2

Pro/E

3 |

cage code 22526

4

PDM: Rev:B

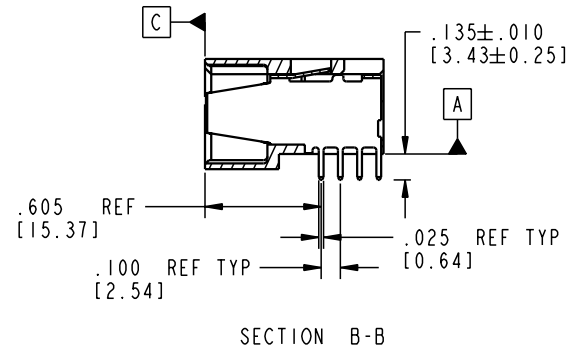
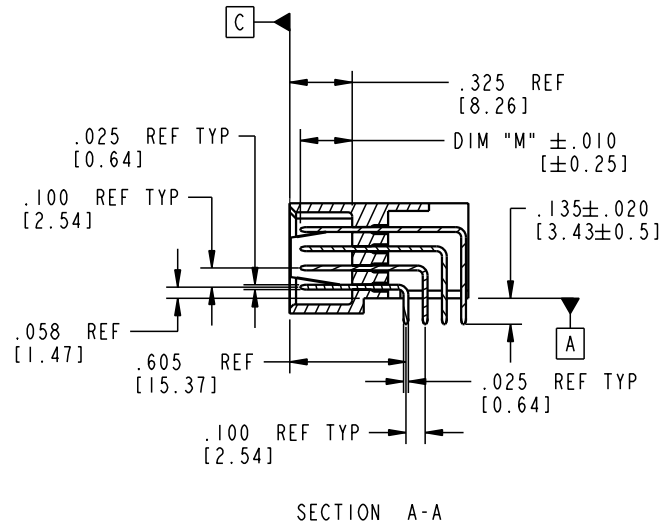
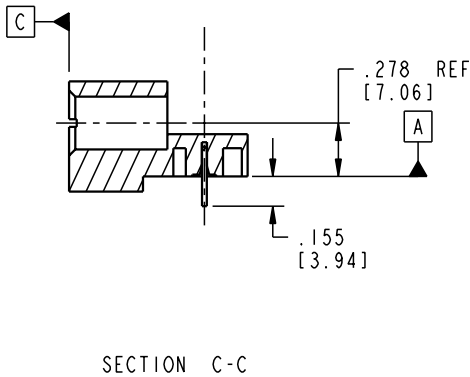
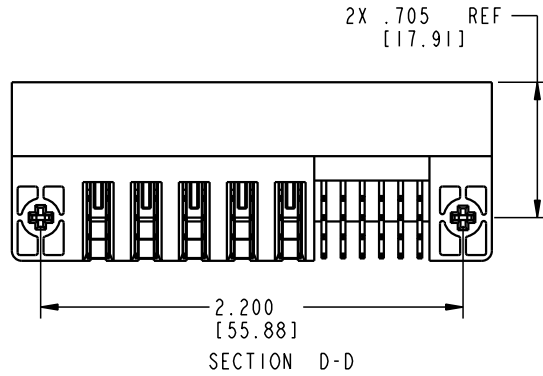
STATUS: Released

Printed: Aug 12, 2007

Tous droits strictement réservés. Reproduction ou communication o des tiers interdite sous quelque forme que ce soit sans autorisation écrite du propriétaire. Propriete de c FCI. Droits de reproduction FCI.

All rights strictly reserved. Reproduction or issue to third parties in any form, whatever is not permitted without written authority from the proprietor. Property of FCI. Copyright FCI.

PRODUCT NUMBER
51722-10502400AA



mat'l code				SEE NOTE 2		tolerances unless otherwise specified		CUSTOMER		ELECTRONICS www.fciconnect.com	
ltr	ecn no.	dr	date	linear	.XX±.01/0.X±0.3		COPY		 INCH/MM scale 1:1	title	
B					.XXX±.005/0.XX±0.13		projection			5P + 24S	
					.XXX±.0020/0.XX±0.051					RIGHT ANGLE SOLDER HEADER	
				angles	0° ± 2°				product family		
				dr	J. SHAFFER	1/4/02			PwrBlade		code
				enr	M. MOSTOLLER	1/4/02			size		213
				chr	M. MOSTOLLER	1/4/02			dwg no		sheet
				appd	M. MOSTOLLER	1/4/02			A 51722-10502400AA		2 of 4
sheet index	revision sheet										

Pro/E

cage code 22526

PDM: Rev:B

STATUS: Released

Printed: Aug 12, 2007

Tous droits strictement réservés. Reproduction ou communication o des tiers interdite sous quelque forme que ce soit sans autorisation écrite du propriétaire. Propriété de c FCI. Droits de reproduction FCI.



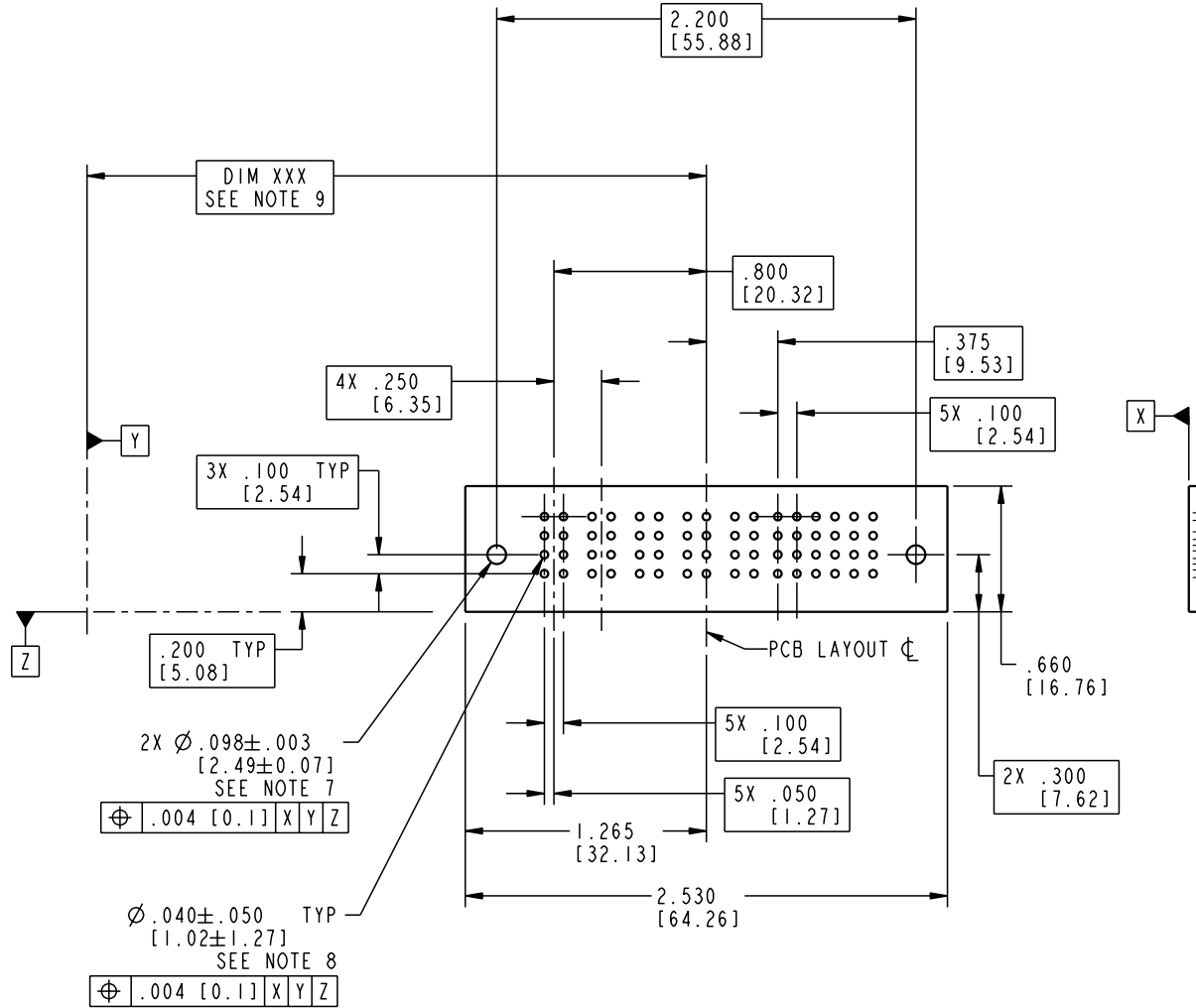
All rights strictly reserved. Reproduction or issue to third parties in any form whatever is not permitted without written authority from the proprietor. Property of FCI. Copyright FCI.

PRODUCT NUMBER
51722-10502400AA

1 | 2

3 |

4



RECOMMENDED PCB LAYOUT

mat'l code				SEE NOTE 2		tolerances unless otherwise specified		CUSTOMER		ELECTRONICS www.fciconnect.com	
ltr	ecn no.	dr	date	linear	.XX±.01/0.X±0.3		COPY		title 5P + 24S RIGHT ANGLE SOLDER HEADER		
B					.XXX±.005/0.XXX±0.13		projection				
					angles	.XXX±.0020/0.XXX±0.051		INCH/MM		product family PwrBlade	
				dr		J. SHAFFER	1/4/02	scale 1:1		code 213	
				enr	M. MOSTOLLER	1/4/02			sheet 3 of 4		
				chr	M. MOSTOLLER	1/4/02			size A		
				appd	M. MOSTOLLER	1/4/02			dwg no 51722-10502400AA		
sheet index		revision sheet									

1 | 2

Pro/E

3 |

cage code
22526

4

PDM: Rev:B

STATUS: Released

Printed: Aug 12, 2007

Tous droits strictement reserves. Reproduction ou communication a des tiers interdite sous quelque forme que ce soit sans autorisation écrite du propriétaire. Propriete de c FCI. Droits de reproduction FCI.



All rights strictly reserved. Reproduction or issue to third parties in any form, whenever is not permitted without written authority from the proprietor. Property of FCI. Copyright FCI.

PRODUCT NUMBER
51722-10502400AA

NOTES:

1. DIMENSIONS AND TOLERANCES ARE IN ACCORDANCE WITH ASME Y14.5M, 1994 UNLESS OTHERWISE SPECIFIED.

CONNECTORS NOTES:

② HOUSING MATERIAL: UL 94 V-0 GLASS FILLED HIGH TEMP THERMO PLASTIC
POWER CONTACT MATERIAL: COPPER ALLOY
SIGNAL PIN MATERIAL: COPPER ALLOY

3. PLATING:

SIGNAL PINS: 30u"/0.76um Au OVER 50u"/1.27um Ni
POWER CONTACTS: 50u"/1.27um Ni UNDER ALL WITH 30u"/0.76um Au ON CONTACT AREA AND SnPb ON PCB INTERFACE

④ "MANUFACTURER" NAME, P/N, AND DATE CODE TO APPEAR ON THIS SURFACE.

5. PRODUCT SPECIFICATION GS-12-149.

PCB - NOTES:

6. ALL HOLE DIAMETERS ARE FINISHED HOLE SIZE.

⑦ HOLD DOWN THROUGH HOLES ARE UNPLATED.

⑧ $\varnothing .0453 \pm 0.0010$ [1.151 \pm 0.025] DRILLED HOLES PLATED WITH 0.0003 [0.008] MIN SnPb OVER .001 [0.03] TO .003 [0.08] Cu PLATING TO ACHIEVE $\varnothing .040 \pm .003$ [1.02 \pm .07] HOLE.

⑨ "DIM XXX" TO BE DETERMINED BY THE CUSTOMER.

mat'l code				SEE NOTE 2		tolerances unless otherwise specified		CUSTOMER		ELECTRONICS www.fciconnect.com	
ltr	ecr no.	dr	date	linear	.XX±.01/0.X±0.3		COPY		projection	title	
B					.XXX±.005/0.XX±0.13		INCH/MM			5P + 24S	
				angles	.XXX±.0020/0.XX±0.051		1:1		RIGHT ANGLE SOLDER HEADER		
				dr	J. SHAFFER	1/4/02	product family		PwrBlade		code
				enr	M. MOSTOLLER	1/4/02	size		dwg no		213
				chr	M. MOSTOLLER	1/4/02	A		51722-10502400AA		sheet
				appd	M. MOSTOLLER	1/4/02					4 of 4
sheet index	revision sheet										

cage code 22526

Pro/E

PDM: Rev:B

STATUS: Released

Printed: Aug 12, 2007